

KOEL

AMFi

Auto Mains Failure Panel



KOEL AMFi Panels are Designed for
INDIA'S #1 GENSET



Enriching Lives

KIRLOSKAR OIL ENGINES LIMITED



Experience Convenience with KOEL AMFi panels

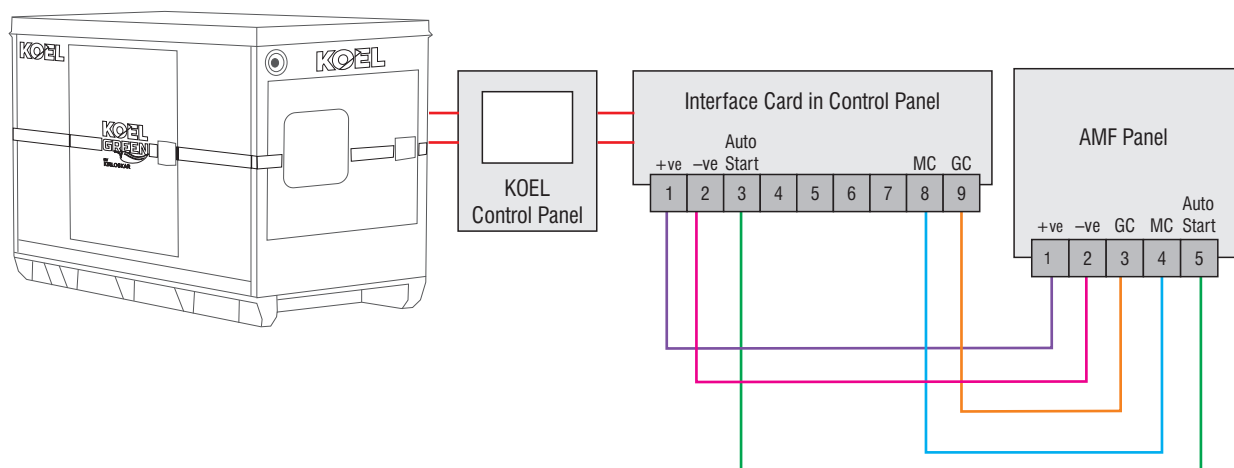
KOEL AMFi panels automatically switch on your genset when the mains supply fails and switch off the Genset when the mains supply restores giving you un-matched convenience.

The AMFi range gives you un matched flexibility. You can operate the genset manually through the selector switches on the panel. You can also switch-OFF the AMF panel when you don't want the genset to operate automatically.

Technical Details

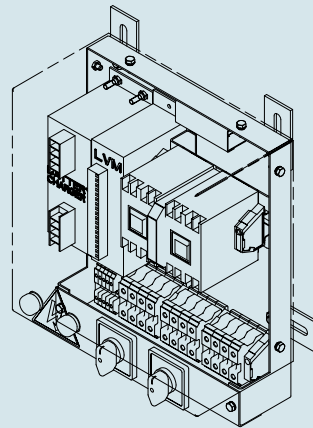
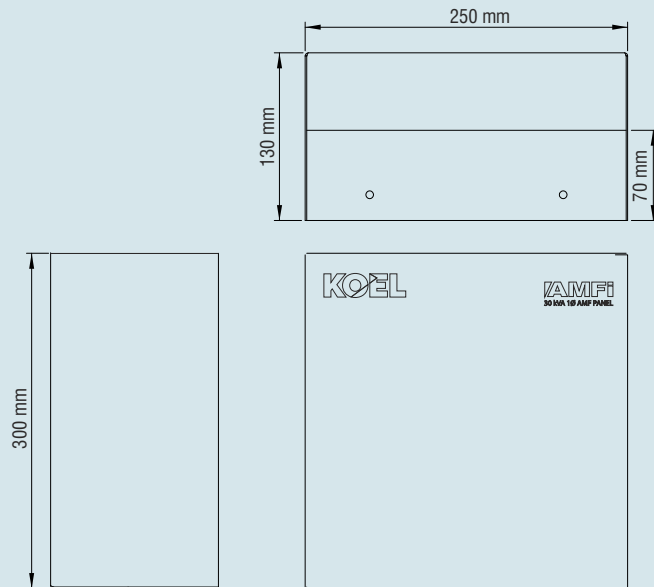
KVA Rating	10	15		25	30	
No of Phases	Single	Single	Three	Three	Single	Three
Contactor						
Rating AC1	25A	40A	25A	40A	80A	50A
No of poles	4					
Operating band	75% to 120%					
Contactor coil voltage	240V 50Hz					
Safety interlock	Mechanical and electrical interlocking for contactors					
Operating Temperature	---10 to 40 ⁰ C					
IP	IP23					
Usage	For indoor applications only					
Mounting	Wall mounting					
Battery Charger	12V 2A Trickle charger					
Termination Capacity (sq mm)	16	35	16	16	50	16

Connection Diagram

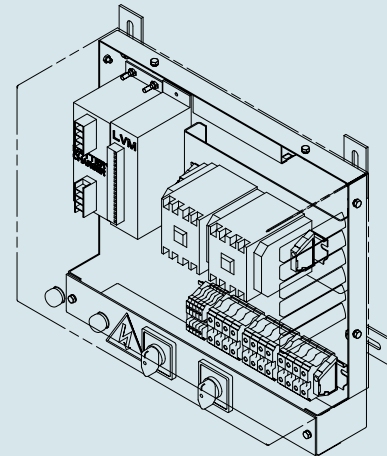
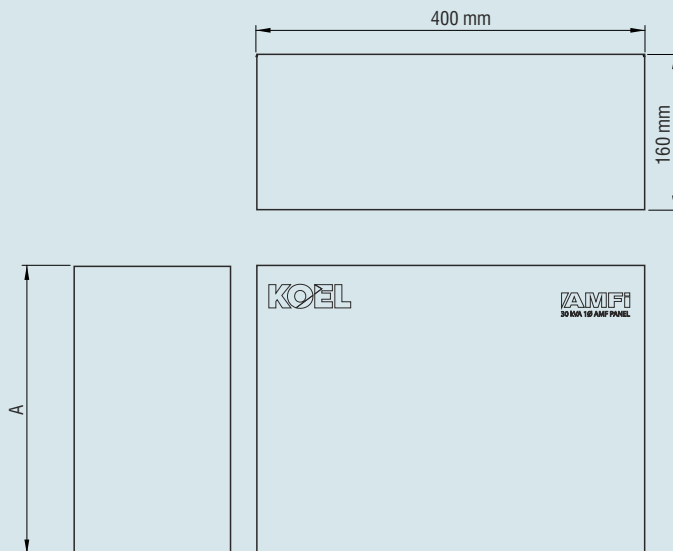


Dimensional Drawings

10 kVA to 25 kVA Single / Three Phase



30 kVA Single / Three Phase



	Single Phase	Three Phase
A	500 mm	350 mm

KOEL/AUTO MAINS/12/082016

Product improvement is a continuous process. Kindly contact KOEL for latest information

KIRLOSKAR OIL ENGINES LIMITED

Laxmanrao Kirloskar Road, Khadki,
Pune 411 003 INDIA.

www.koelgreen.com



8806334433
1800 233 3344

koel.helpdesk@kirloskar.com